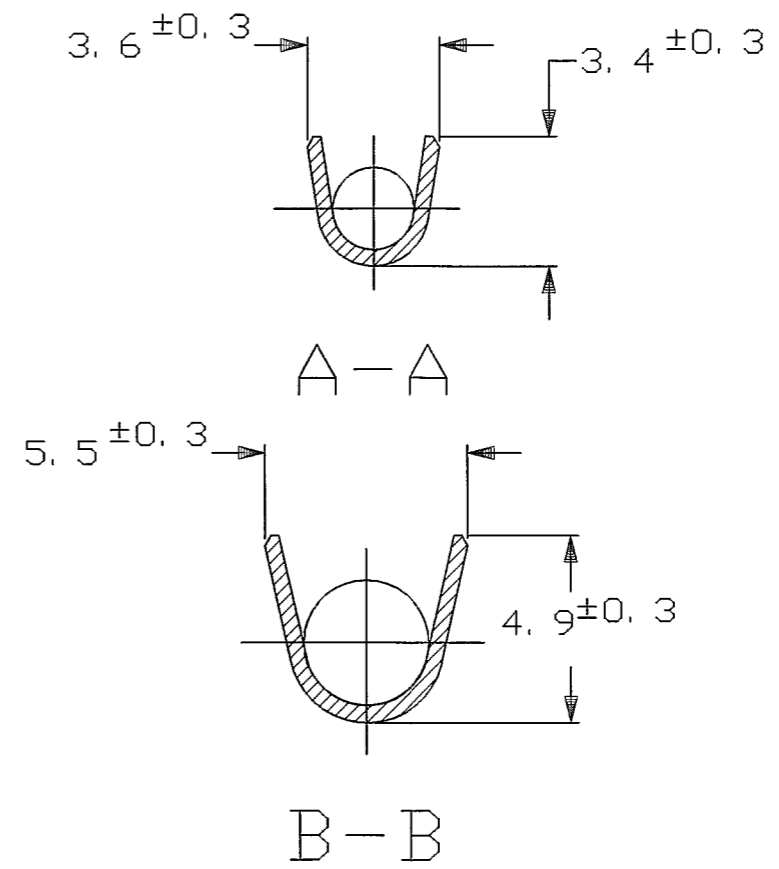
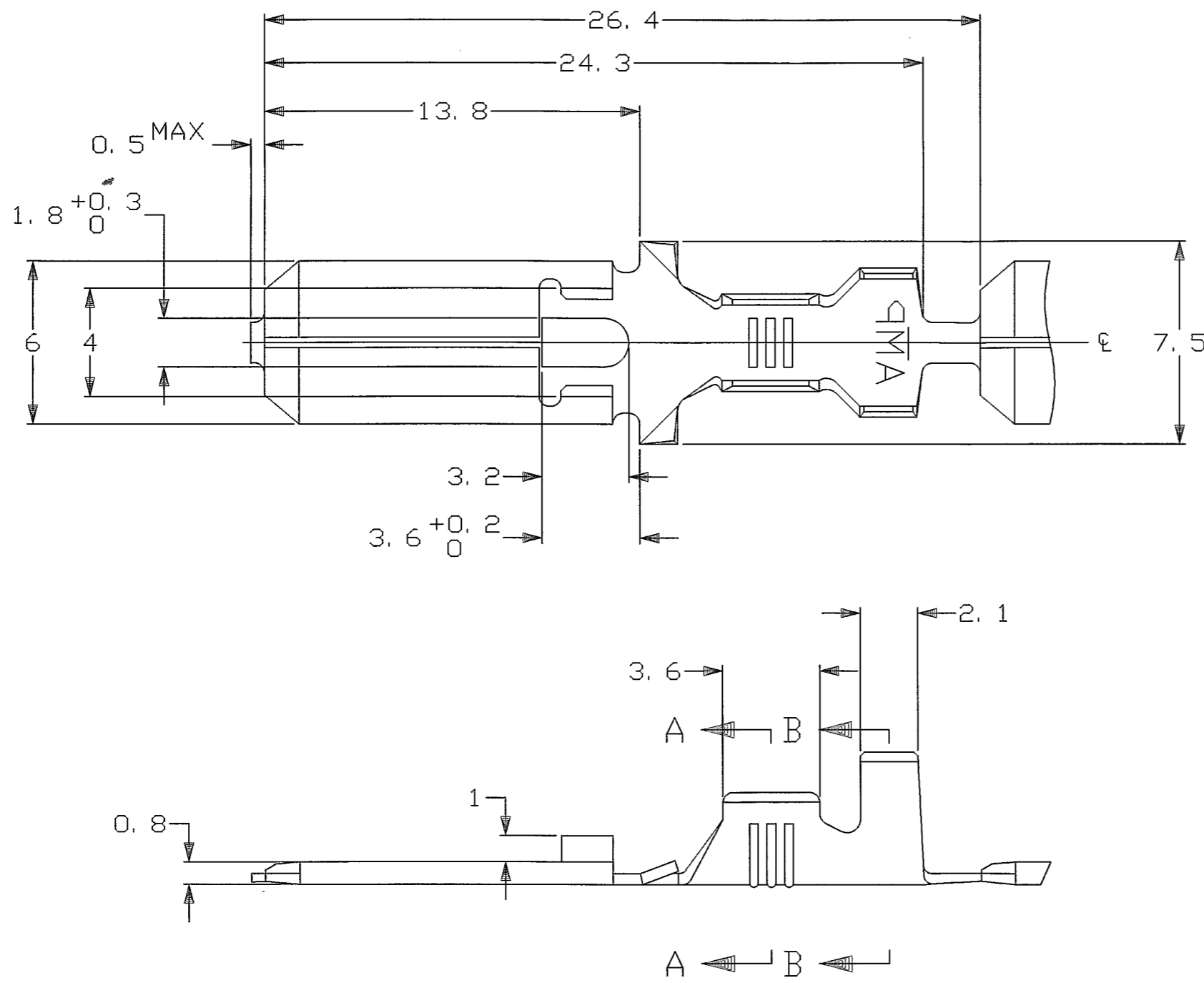


THIS DRAWING IS UNPUBLISHED. RELEASED FOR PUBLICATION
 © COPYRIGHT BY TYCO ELECTRONICS CORPORATION. ALL RIGHTS RESERVED.

LOC	DIST	REVISIONS					
J	-	P	LTR	DESCRIPTION	DATE	DWN	APVD
		C2		REVISED ECR-05-000627	14MAR'05	Y.Y	N.Y



△ REVERSE REEL OF 170340-3
 △ 170340-3、逆巻リール

△	---	PRE-TIN BRASS t0.41	---	1-170340-3
	---	PRE-TIN BRASS t0.41	179462-3	170340-3
	---	BRASS t0.41	---	170340-1
	FINISH	MATERIAL	LOOSE PIECE NUMBER	PART NUMBER

THIS DRAWING IS A CONTROLLED DOCUMENT FOR AMP INCORPORATED. IT IS SUBJECT TO CHANGE AND THE CONTROLLING ENGINEERING ORGANIZATION SHOULD BE CONTACTED FOR THE LATEST REVISION.

DIMENSIONS: 単位: 桁 mm

TOLERANCES UNLESS OTHERWISE SPECIFIED: 一般公差

10 ≥ : ±0.2
 30 ≥ : >10 : ±0.25
 ANGLE : ±3°

MATERIAL 材料 SEE TABLE
 FINISH 仕上 SEE TABLE

DWN	A.YAMAGUCHI	19AUG98
CHK	K.BETSUI	26AUG98
APVD	K.BETSUI	26AUG98
PRODUCT SPEC	製品規格	108-5147
APPLICATION SPEC	取付適用規格	114-5052
WEIGHT	0.76g	

WIRE RANGE 絶合電線断面積	(0.5~2.27mm SQ) #20~#14	INSULATION DIA 被覆外径	2.1~3.4 DIA
		Tyco Electronics AMP K.K. Kawasaki, Japan	
NAME 名称		250 SERIES TAB WITHOUT LATCH 250シリーズ ラッチ無しタブ	
SIZE	A3	CAGE CODE	00779
DRAWING NO 番号	C-170340		RESTRICTED TO
CUSTOMER DRAWING		SCALE 尺度	5:1
		SHEET	1 OF 1
		REV	C2